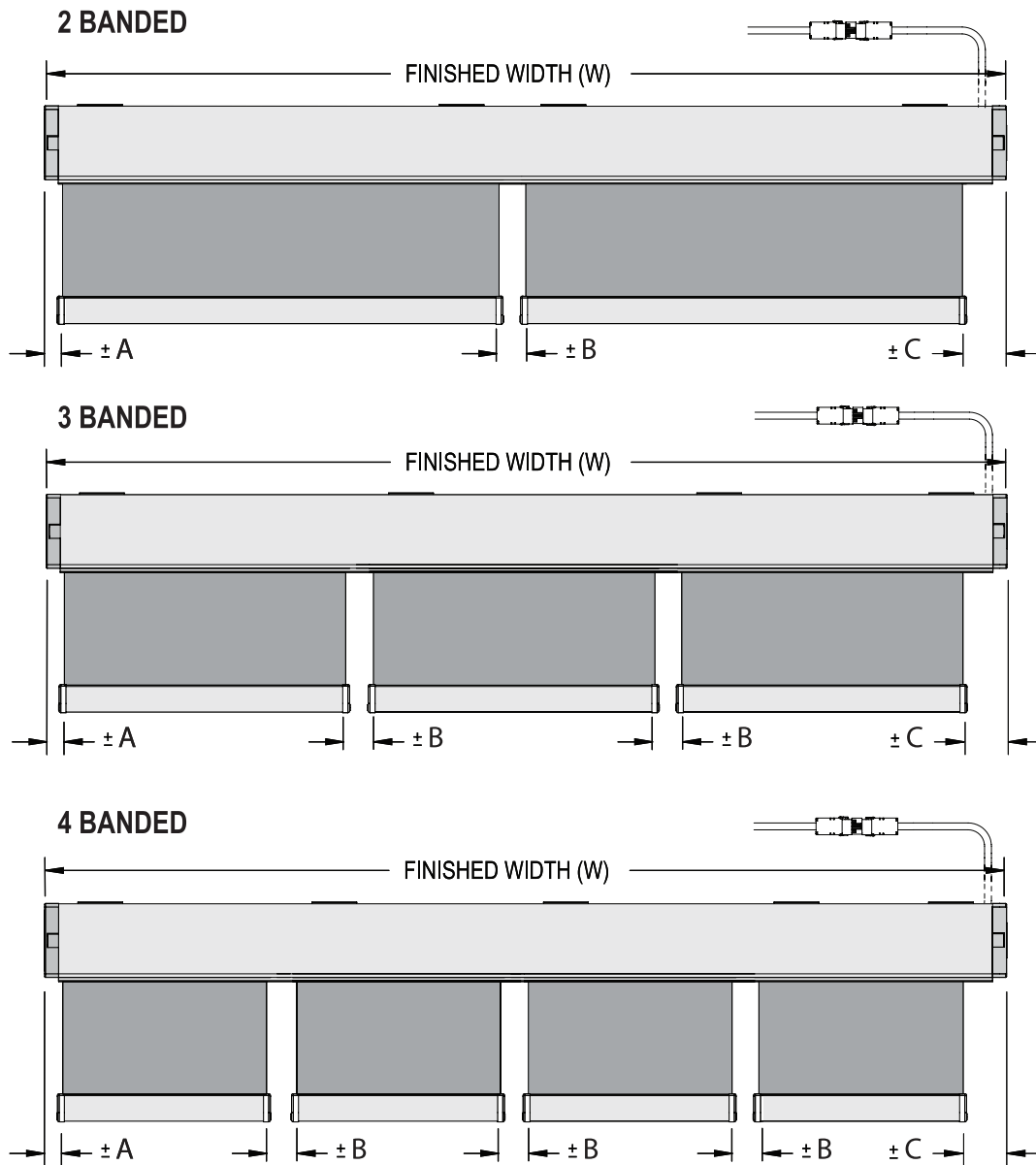




AVAILABLE TANDEM OPTIONS

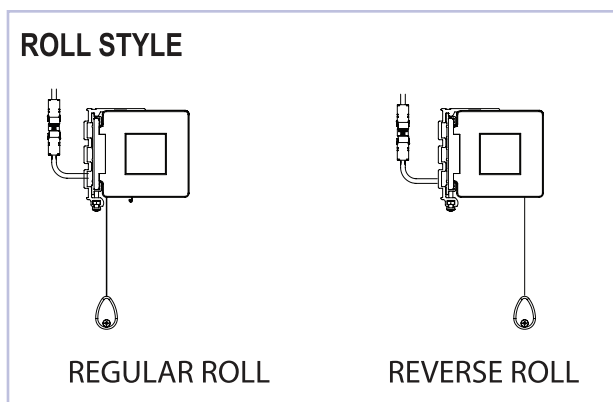
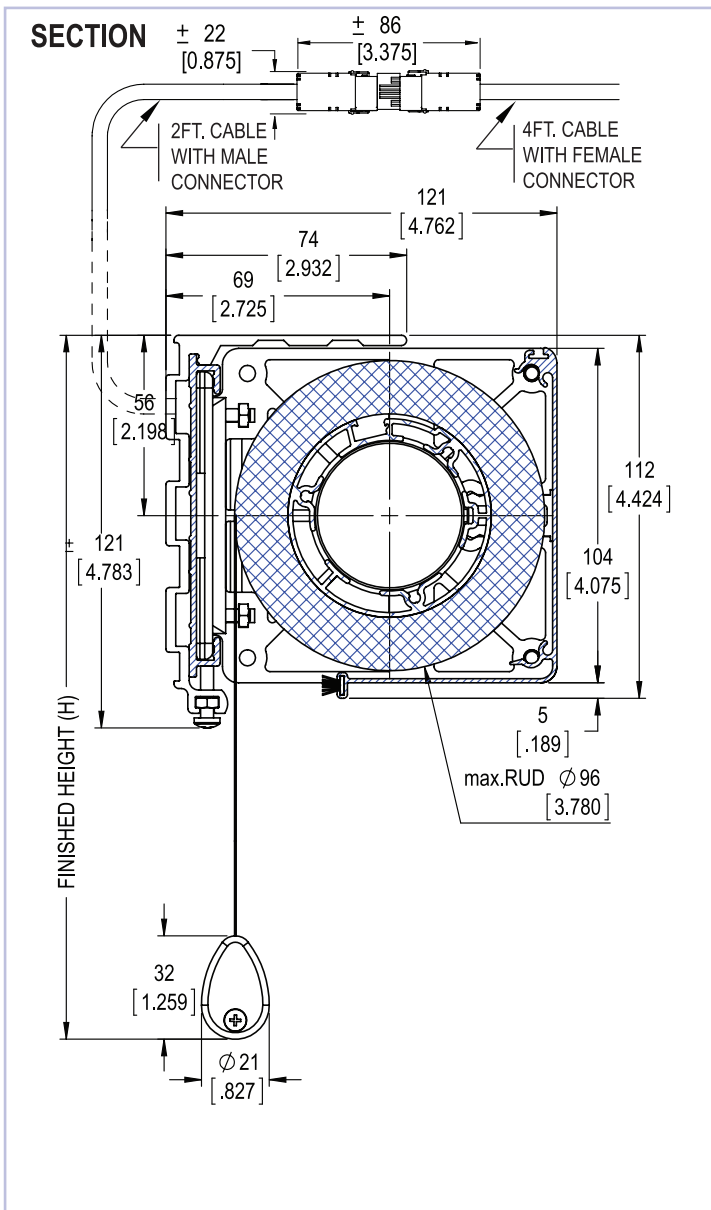
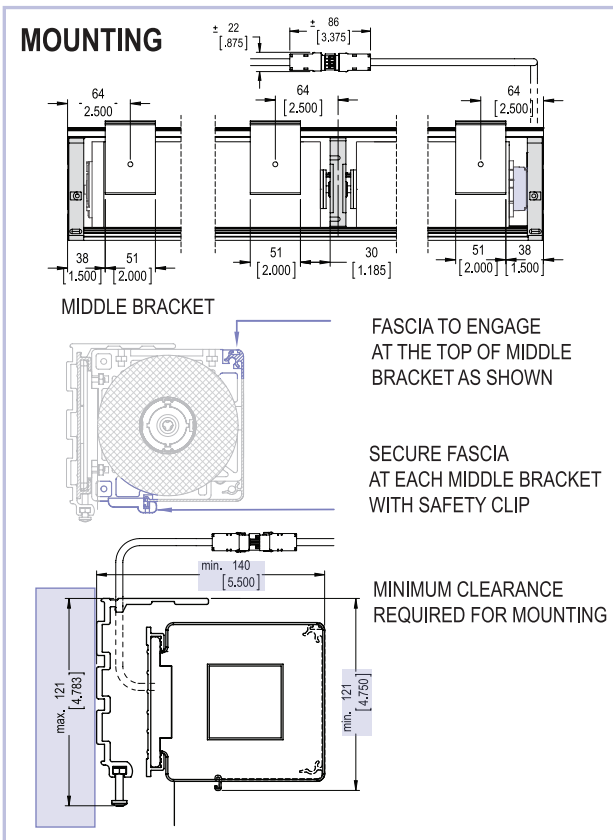


EDGE CLEARANCE	A	B	C
DIMENSION	± 22 [0.875"]	± 44 [1.732"]	± 38 [1.500"]



ALTEX[®]
SunProject™
line of products

MODULINE[®] ELEKTRA TANDEM 105 - 120VAC E-50 / E-50 RTS / E-50 ILT MOTOR OPERATED ROLLER SYSTEMS



MODEL	MDL1-EM63-105-E50-TANDEM
--------------	---------------------------------

NOTE: For size limitation guidelines, please refer to our Size Limitation Detail Sheets or contact our Technical Department.

MONTREAL T: 800.363.5930 @: info@altex.ca	TORONTO T: 888.836.6980 @: sales@altex.ca	VANCOUVER T: 888.980.9899 @: servicewest@altex.ca
--	--	--