



**ALTEX**<sup>®</sup>

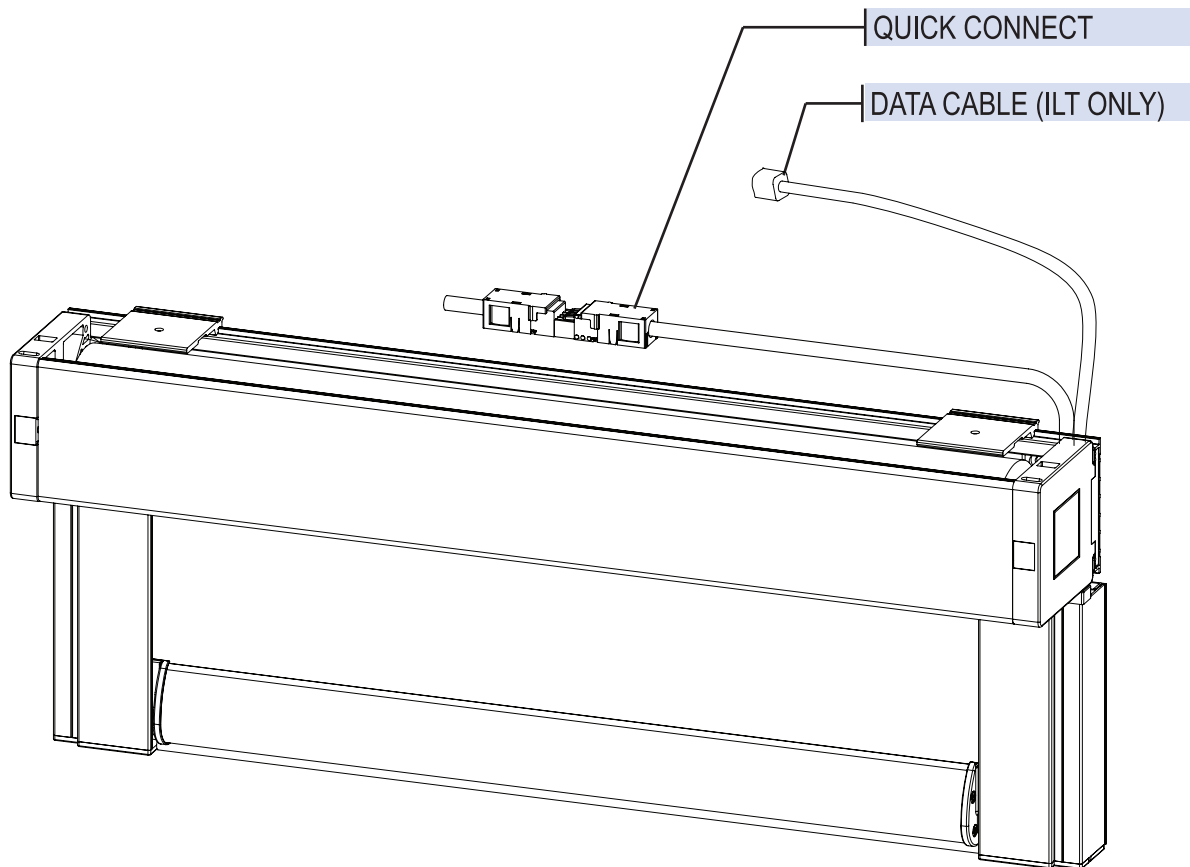
SunProject™  
line of products

# MODULINE<sup>®</sup> ELEKTRA 105 - 120VAC

## E-50 / E- 50 RTS / E-50 ILT MOTOR OPERATED ROLLER SYSTEMS



ELEKTRA	REGULAR MOTOR
WITH OR WITHOUT FASCIA 105	
SHADE HOLDER: STANDARD	
MOTOR TYPE:	E-50 - 120VAC
	E-50 RTS - 120VAC
	E-50 ILT - 120VAC



**MDL4-EM-105-E-50**

**WITH OR WITHOUT FASCIA 105**



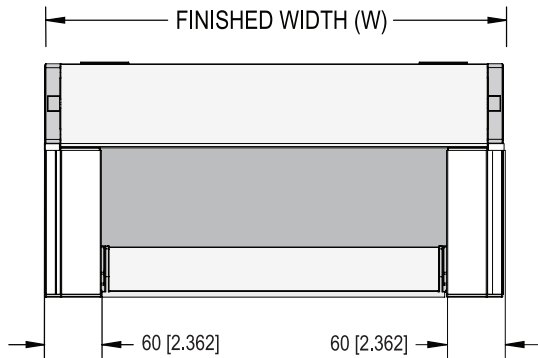
**ALTEX**<sup>®</sup>  
SunProject™  
line of products

# MODULINE<sup>®</sup> ELEKTRA 105 - 120VAC

## E-50 / E- 50 RTS / E-50 ILT MOTOR OPERATED ROLLER SYSTEMS

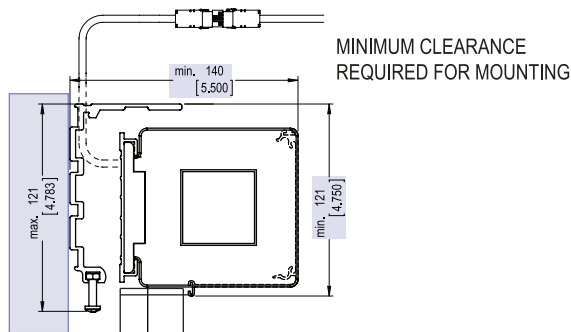
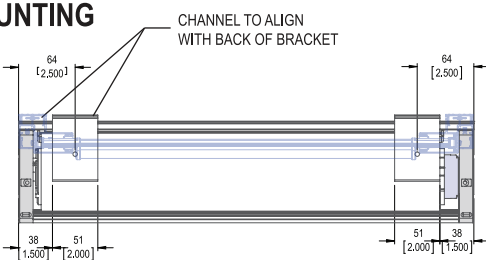


### ELEVATION

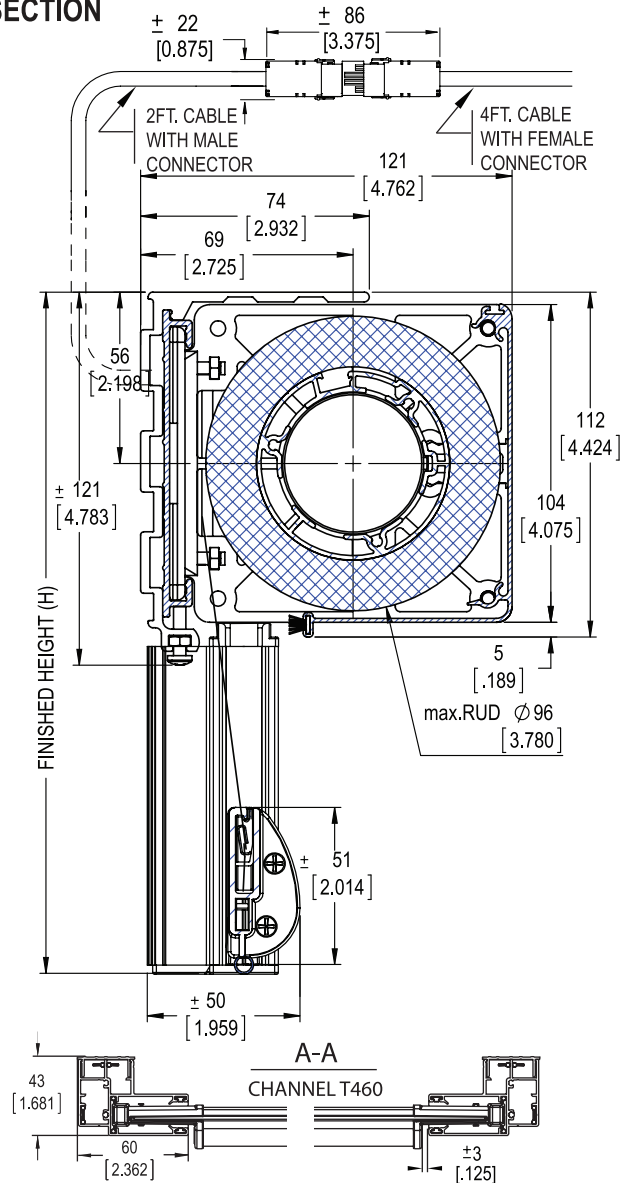


TOLERANCE +/- 1.5mm [0.0625"]  
DIMENSIONS mm [inches]

### MOUNTING

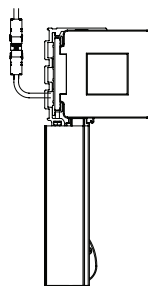


### SECTION



MODEL MDL4-EM63-105-VS-E-50

### ROLL STYLE



REGULAR ROLL

NOTE: For size limitation guidelines, please refer to our Size Limitation Detail Sheets or contact our Technical Department.

MONTREAL

T: 800.363.5930

@: info@altex.ca

TORONTO

T: 888.836.6980

@: sales@altex.ca

VANCOUVER

T: 888.980.9899

@: servicewest@altex.ca