

## Wall Mount Application

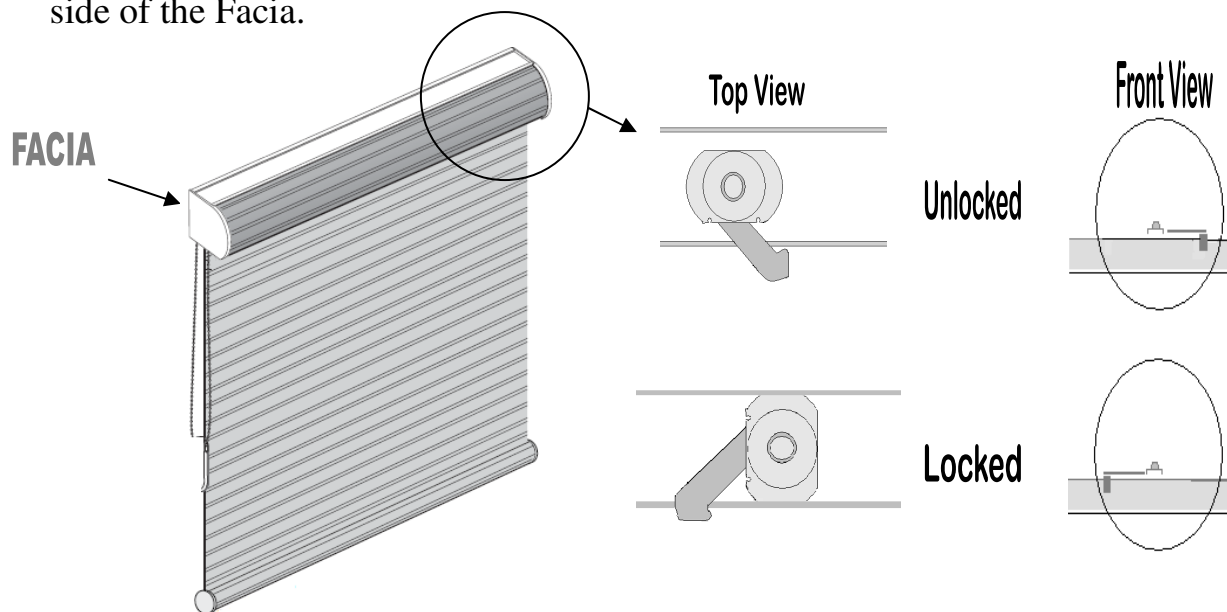
Locate the wall brackets. Measure 6 inches in from each end of the FACIA and mark the bracket location on the wall with a pencil. Make sure that the brackets are level and on a straight line with each other. Position all cam lock keys on the wall brackets, to point at the front of the bracket (see illustration). Install the two end brackets. Space the additional brackets evenly between the two end brackets and install them. Place the Facia on the brackets lining up the cam lock key with the installation channel on the top of the Facia. Turn the cam lock keys to locking position against the front side of the Facia.

## Ceiling Mount Application

Locate the ceiling mount brackets. Measure 6 inches in from the end of the Facia and mark the bracket location on the ceiling with a pencil.

**TIP:** Brackets should be installed a minimum of 2 inches from the center screw hole to the back wall or window. This clearance is required to allow for the extension of the cam lock key arm when in the open position.

Space the additional cam lock keys evenly between the two end keys and install them. Place Facia by lining up the cam lock key with the installation channel on the top of the Facia. Turn the cam lock keys to locking position against the back side of the Facia.



*Thank you for shopping at Covers.*

For further information, please access our website at [www.coverscanada.ca](http://www.coverscanada.ca) or contact our office.

Covers Canada Inc.  
1695 Wonderland Rd. N.  
London, Ontario N6G 4W3  
(519)471-7818